

## C-1100V

**Digital Variable Speed  
Stroke & Speed Control  
4-20mA, 0-10VDC  
& Pulse Inputs**



### Features:

- Double-ball inlet and outlet cartridge type ceramic check valves. Chemical resistant PVDF pump head, valve body and fitting, ceramic balls, FKM static seals and TFE/P ball seat o-rings. No metal springs are used.
- Stroke length & speed adjustment for accurate small injections at a high rate per minute. 400:1 turndown ratio.
- Outputs to 15 GPH (56.8 LPH).
- Output pressures to 150 PSI (10.3 bar).
- PVDF suction (foot) valve with FKM and TFE/P o-rings, ceramic check ball and removable polypropylene filter screen.
- Includes 3/8" OD suction and discharge tubing, Injection fitting with spring-loaded check valve and all mounting hardware.
- Accepts 4-20mA, 0-10Vdc, and Pulse inputs for manual or external speed control.
- Operator friendly digital touch pad.
  - Easy to read LCD display
  - Service and Alarm indicator icons.
  - Display motor speed or input signal values.
  - Prime mode for easy priming without changing programming.
- Compatible with Blue-White's output flow verification sensor system.
- Durable housing of chemical resistant Valox (PBT) thermoplastic.

### Specifications:

Max. working pressure: .....150 psig (10.3 bar)  
 Max. fluid temperature: .....130° F (54° C)  
 Max. Ambient temperature: ..14° to 110° F/ -10° to 43° C  
 Maximum viscosity: .....1,000 Centipoise  
 Maximum suction lift: .....10 ft. Water 0 psig  
 Output adjustment range: ....400:1  
 Stroke length: .....5-100%  
 Motor speed: .....5-100%  
 Duty cycle: .....Continuous  
 Enclosure: .....NEMA 3R, (IP23)

Voltage (amp draw): .....115VAC/60Hz, 1ph (.350 amp max)  
 230VAC/60Hz, 1ph (.173 amp max)  
 220VAC/50Hz, 1ph (.175 amp max)  
 240VAC/50Hz, 1ph (.193 amp max)  
 Power Cord Plug Type: .....115V60Hz = NEMA 5/15 (USA)  
 230V60Hz = NEMA 6/15 (USA)  
 220V50Hz = CEE 7/VII (EUROPE)  
 240V50Hz = CEE 7/VII (EUROPE)  
 Approximate shipping wt: ...12 lb. (5.4 kg)

### Materials of Construction: Wetted components:

Pump Head: .....PVDF (options: PTFE, Acrylic)  
 Pump Head Inlet/outlet Valves:  
 Cartridge valve body: .....PVDF  
 Tube adapters: .....PVDF  
 Check Balls: .....Ceramic  
 Ball Seat O-ring: .....TFE/P (optional EP)  
 Static Seal O-ring: .....FKM (optional EP)  
 Suction Tubing: .....Clear PVC  
 Discharge Tubing: .....Natural Polyethylene (LLDPE)

#### Suction Footvalve/Strainer:

Body & Tubing adapter: .....PVDF (optional PTFE)  
 Strainer: .....Polypropylene  
 Check Ball: .....Ceramic (optional PTFE poppet)  
 Ball Seat O-ring: .....TFE/P (optional EP)  
 Static Seal O-ring: .....FKM (optional EP)

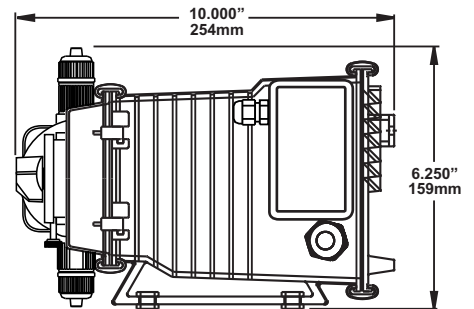
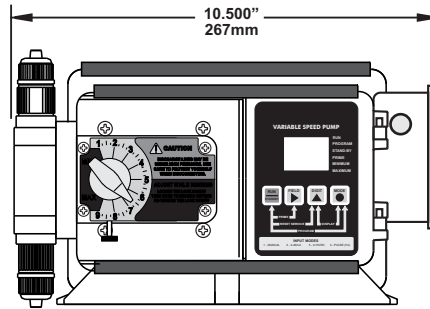
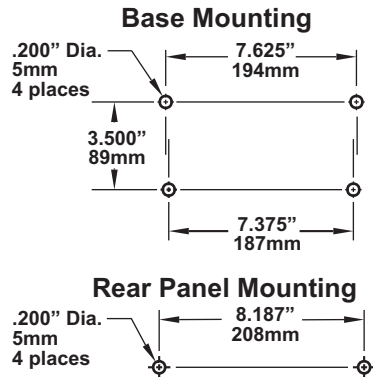
#### Injection/Check valve:

Body & insert: .....Polypropylene (optional PVDF, PTFE)  
 Check Ball: .....Ceramic (optional PTFE poppet)  
 Spring: .....Hastelloy C-276  
 Ball Seat O-ring: .....TFE/P (optional EP)  
 Static Seal O-ring: .....FKM (optional EP)

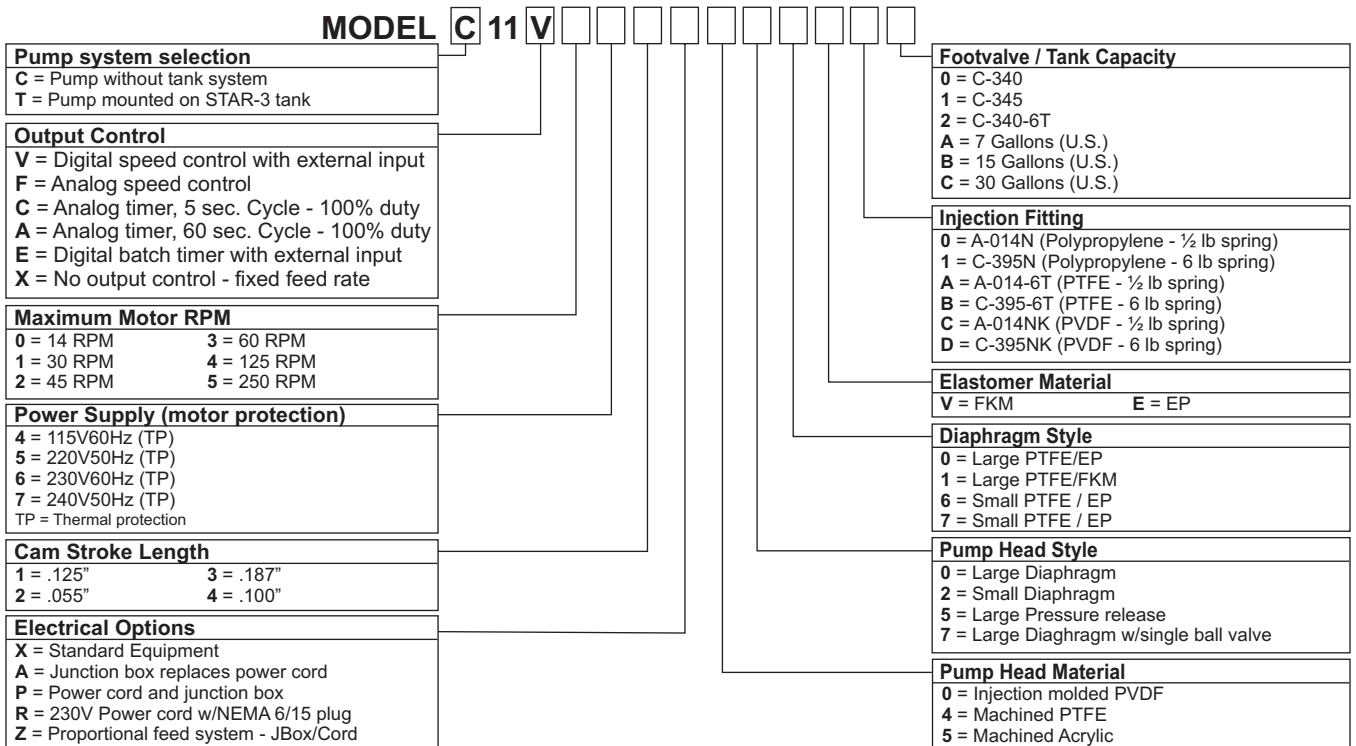
# Blue-White Industries, Ltd.

## CHEM-FEED® Diaphragm Metering Pumps

### Dimensions:



### Model Number Matrix:



### Flow rate and pressure capacities:

Max Output at 0 PSI				Strokes	Max	115V/60Hz	230V/60Hz	220V/50Hz
GPD	GPH	LPH	OZ/MIN	Per minute	PSI	Model Number	Model Number	Model Number
57.7	2.4	9.1	5.1	60	150	C11V344X000V00	C11V364X000V00	C11V354X000V00
119.7	4.9	18.9	10.6	125	150	C11V444X000V00	C11V464X000V00	C11V454X000V00
155.9	6.4	24.6	13.8	125	150	C11V441X000V00	C11V461X000V00	C11V451X000V00
260.8	10.8	41.1	23.1	250	100	C11V544X000V00	C11V564X000V00	C11V554X000V00
360.0	15.0	56.8	32.0	250	25	C11V543X000V00	C11V563X000V00	C11V553X000V00

