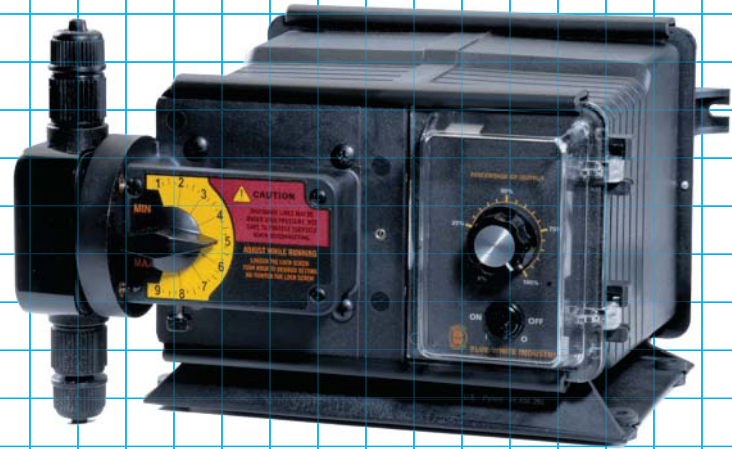


C-1100F

Variable Speed
Dial Knob Control



Features:

- Double-ball inlet and outlet cartridge type ceramic check valves. Chemical resistant PVDF pump head, valve body and fitting, ceramic balls, FKM static seals and TFE/P ball seat o-rings. No metal springs are used.
- Stroke length & speed adjustment for accurate small injections at a high rate per minute. 400:1 turndown ratio.
- Outputs to 15 GPH (56.8 LPH).
- Output pressures to 150 PSI (10.3 bar).
- PVDF suction (foot) valve with FKM and TFE/P o-rings, ceramic check ball and removable polypropylene filter screen.
- PTFE coated EP diaphragm.
- Includes 3/8" OD suction and discharge tubing, Injection fitting with spring-loaded check valve and all mounting hardware.
- Easy to use dial knob speed adjustment.
- Compatible with Blue-White's output flow verification sensor system.
- Durable housing of chemical resistant Valox (PBT) thermoplastic.

Specifications:

Max. working pressure:	150 psig (10.3 bar)	Voltage (amp draw):	115VAC/60Hz, 1ph (.513 amp max)
Max. fluid temperature:	130° F (54° C)		230VAC/60Hz, 1ph (.563 amp max)
Max. Ambient temperature: ..	14° to 110° F/ -10° to 43° C		220VAC/50Hz, 1ph (.660 amp max)
Maximum viscosity:	1,000 Centipoise		240VAC/50Hz, 1ph (.585 amp max)
Maximum suction lift:	10 ft. Water 0 psig	Power Cord Plug Type:	115V60Hz = NEMA 5/15 (USA)
Output adjustment range: ..	400:1		230V60Hz = NEMA 6/15 (USA)
Stroke length:	5-100%		220V50Hz = CEE 7/VI (EUROPE)
Motor speed:	5-100%		240V50Hz = CEE 7/VII (EUROPE)
Duty cycle:	Continuous	Approximate shipping wt: ...	12 lb. (5.4 kg)
Enclosure:	NEMA 3R, (IP23)		

Materials of Construction:

Wetted components:

Pump Head:PVDF (options: PTFE, Acrylic)
 Pump Head Inlet/outlet Valves:
 Cartridge valve body:PVDF
 Tube adapters:PVDF
 Check Balls:Ceramic
 Ball Seat O-ring:TFE/P (optional EP)
 Static Seal O-ring:FKM (optional EP)
 Suction Tubing:Clear PVC
 Discharge Tubing:Natural Polyethylene (LLDPE)

Suction Footvalve/Strainer:

Body & Tubing adapter:PVDF (optional PTFE)
 Strainer:Polypropylene
 Check Ball:Ceramic (optional PTFE poppet)
 Ball Seat O-ring:TFE/P (optional EP)
 Static Seal O-ring:FKM (optional EP)

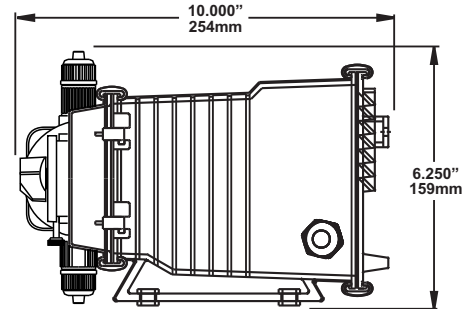
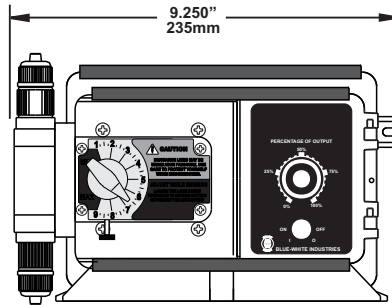
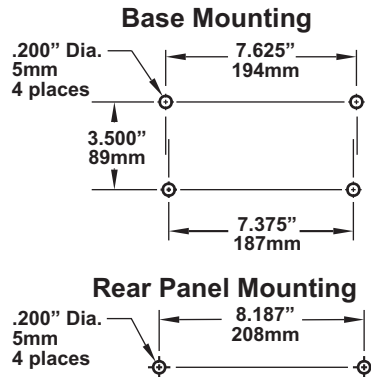
Injection/Check valve:

Body & insert:Polypropylene (optional PVDF, PTFE)
 Check Ball:Ceramic (optional PTFE poppet)
 Spring:Hastelloy C-276
 Ball Seat O-ring:TFE/P (optional EP)
 Static Seal O-ring:FKM (optional EP)

Blue-White Industries, Ltd.

CHEM-FEED® Diaphragm Metering Pumps

Dimensions:



Model Number Matrix:

MODEL		C	11	F											
Pump system selection		<ul style="list-style-type: none"> C = Pump without tank system T = Pump mounted on STAR-3 tank 													
Output Control		<ul style="list-style-type: none"> V = Digital speed control with external input F = Analog speed control C = Analog timer, 5 sec. Cycle - 100% duty A = Analog timer, 60 sec. Cycle - 100% duty E = Digital batch timer with external input X = No output control - fixed feed rate 													
Maximum Motor RPM		<ul style="list-style-type: none"> 0 = 14 RPM 1 = 30 RPM 2 = 45 RPM 3 = 60 RPM 4 = 125 RPM 5 = 250 RPM 													
Power Supply (motor protection)		<ul style="list-style-type: none"> 4 = 115V60Hz (TP) 5 = 220V50Hz (TP) 6 = 230V60Hz (TP) 7 = 240V50Hz (TP) TP = Thermal protection 													
Cam Stroke Length		<ul style="list-style-type: none"> 1 = .125" 2 = .055" 3 = .187" 4 = .100" 													
Electrical Options		<ul style="list-style-type: none"> X = Standard Equipment A = Junction box replaces power cord P = Power cord and junction box R = 230V Power cord w/NEMA 6/15 plug Z = Proportional feed system - JBox/Cord 													
Footvalve / Tank Capacity		<ul style="list-style-type: none"> 0 = C-340 1 = C-345 2 = C-340-6T A = 7 Gallons (U.S.) B = 15 Gallons (U.S.) C = 30 Gallons (U.S.) 													
Injection Fitting		<ul style="list-style-type: none"> 0 = A-014N (Polypropylene - ½ lb spring) 1 = C-395N (Polypropylene - 6 lb spring) A = A-014-6T (PTFE - ½ lb spring) B = C-395-6T (PTFE - 6 lb spring) C = A-014NK (PVDF - ½ lb spring) D = C-395NK (PVDF - 6 lb spring) 													
Elastomer Material		<ul style="list-style-type: none"> V = FKM E = EP 													
Diaphragm Style		<ul style="list-style-type: none"> 0 = Large PTFE/EP 1 = Large PTFE/FKM 6 = Small PTFE / EP 7 = Small PTFE / EP 													
Pump Head Style		<ul style="list-style-type: none"> 0 = Large Diaphragm 2 = Small Diaphragm 5 = Large Pressure release 7 = Large Diaphragm w/single ball valve 													
Pump Head Material		<ul style="list-style-type: none"> 0 = Injection molded PVDF 4 = Machined PTFE 5 = Machined Acrylic 													

Flow rate and pressure capacities:

Max Output at 0 PSI				Strokes	Max	115V/60Hz	230V/60Hz	220V/50Hz
GPD	GPH	LPH	OZ/MIN	Per minute	PSI	Model Number	Model Number	Model Number
57.7	2.4	9.1	5.1	60	150	C11F344X000V00	C11F364X000V00	C11F354X000V00
119.7	4.9	18.9	10.6	125	150	C11F444X000V00	C11F464X000V00	C11F454X000V00
155.9	6.4	24.6	13.8	125	150	C11F441X000V00	C11F461X000V00	C11F451X000V00
260.8	10.8	41.1	23.1	250	100	C11F544X000V00	C11F564X000V00	C11F554X000V00
360.0	15.0	56.8	32.0	250	25	C11F543X000V00	C11F563X000V00	C11F553X000V00

