

C-1100C

Fixed Speed

Dial Knob Control

5 Second Cycle Timer



Features:

- Double-ball inlet and outlet cartridge type ceramic check valves. Chemical resistant PVDF pump head, valve body and fitting, ceramic balls, Viton static seals and TFE/P ball seat o-rings. No metal springs are used.
- Stroke adjustment from 5-100% permits accurate small injections at a high rate per minute.
- Adjustable 5 second repeating interval timer. 0.25 - 5.0 second adjustable on time per 5 second cycle.
- Easy to use dial knob adjustment.
- Outputs to 15 GPH (56.8 LPH).
- Output pressures to 150 PSI (10.3 bar).
- PTFE coated EP diaphragm.
- PVDF suction (foot) valve with Viton and TFE/P o-rings, ceramic check ball and removable polypropylene filter screen.
- Includes 3/8" OD suction and discharge tubing, Injection fitting with spring-loaded check valve and all mounting hardware.
- Compatible with Blue-White's output flow verification sensor system.
- Durable housing of chemical resistant Valox (PBT) thermoplastic.

Specifications:

Max. working pressure:150 psig (10.3 bar)

Max. fluid temperature:130° F (54° C)

Max. Ambient temperature: ...14° to 110° F/ -10° to 43° C

Maximum viscosity:1,000 Centipoise

Maximum suction lift:10 ft. Water 0 psig

Output adjustment range:400:1

Stroke length:.....5-100%

Cycle Timer:5-100%

Duty cycle:.....Continuous

Enclosure:NEMA 3R, (IP23)

Approximate shipping wt: ...10 lb. (4.2 kg)

Voltage (max amp):115VAC/60Hz, 14 & 30 rpm = 1.37 amp
45, 60, 125, 250 rpm = 1.87 amp
230VAC/60Hz, 14 & 30 rpm = 0.64 amp
45, 60, 125, 250 rpm = 0.74 amp
220VAC/50Hz, 14 & 30 rpm = 0.68 amp
45, 60, 125, 250 rpm = 1.14 amp
240VAC/50Hz, 14 & 30 rpm = 0.66 amp
45, 60, 125, 250 rpm = 1.04 amp

Power Cord Plug Type:.....115V60Hz = NEMA 5/15 (USA)
230V60Hz = NEMA 6/15 (USA)
220V50Hz = CEE 7/VII (EUROPE)
240V50Hz = CEE 7/VII (EUROPE)

Materials of Construction:

Wetted components:

Pump Head:.....PVDF (options: PTFE, Acrylic)

Pump Head Inlet/outlet Valves:

Cartridge valve body:PVDF

Tube adapters:PVDF

Check Balls:Ceramic

Ball Seat O-ring:.....TFE/P (optional EP)

Static Seal O-ring:.....Viton[®] (optional EP)

Suction Tubing:.....Clear PVC

Discharge Tubing:.....Natural Polyethylene (LLDPE)

Suction Footvalve/Strainer:

Body & Tubing adapter:.....PVDF (optional PTFE)

Strainer:Polypropylene

Check Ball:Ceramic (optional PTFE poppet)

Ball Seat O-ring:.....TFE/P (optional EP)

Static Seal O-ring:.....Viton[®] (optional EP)

Injection/Check valve:

Body & insert:Polypropylene (optional PVDF, PTFE)

Check Ball:Ceramic (optional PTFE poppet)

Spring:Hastelloy C-276

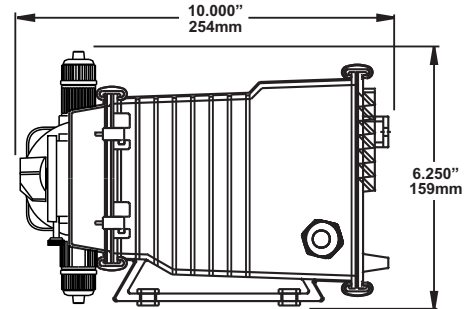
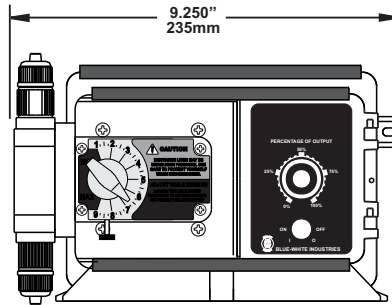
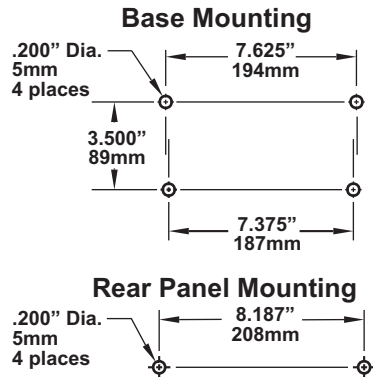
Ball Seat O-ring:.....TFE/P (optional EP)

Static Seal O-ring:.....Viton[®] (optional EP)

Blue-White Industries, Ltd.

CHEM-FEED® Diaphragm Metering Pumps

Dimensions:



Model Number Matrix:

MODEL		C	11	C															
Pump system selection		C = Pump without tank system T = Pump mounted on STAR-3 tank																	
Output Control		V = Digital speed control with external input F = Analog speed control C = Analog timer, 5 sec. Cycle - 100% duty A = Analog timer, 60 sec. Cycle - 100% duty E = Digital batch timer with external input X = No output control - fixed feed rate																	
Maximum Motor RPM		0 = 14 RPM 3 = 60 RPM 1 = 30 RPM 4 = 125 RPM 2 = 45 RPM 5 = 250 RPM																	
Power Supply (motor protection)		4 = 115V60Hz (TP) 5 = 220V50Hz (TP)* 6 = 230V60Hz (TP) 7 = 240V50Hz (TP)* TP = Thermal protection																	
Cam Stroke Length		1 = .125" 3 = .187" 2 = .055" 4 = .100"																	
Electrical Options		X = Standard Equipment A = Junction box replaces power cord P = Power cord and junction box R = 230V Power cord w/NEMA 6/15 plug Z = Proportional feed system - JBox/Cord																	
Footvalve / Tank Capacity		0 = C-340 1 = C-345 2 = C-340-6T A = 7 Gallons (U.S.) B = 15 Gallons (U.S.) C = 30 Gallons (U.S.)																	
Injection Fitting		0 = A-014N (Polypropylene - ½ lb spring) 1 = C-395N (Polypropylene - 6 lb spring) A = A-014-6T (PTFE - ½ lb spring) B = C-395-6T (PTFE - 6 lb spring) C = A-014NK (PVDF - ½ lb spring) D = C-395NK (PVDF - 6 lb spring)																	
Elastomer Material		V = Viton E = EP																	
Diaphragm Style		0 = Large PTFE/EP 1 = Large PTFE/Viton 6 = Small PTFE / EP 7 = Small PTFE / EP																	
Pump Head Style		0 = Large Diaphragm 2 = Small Diaphragm 5 = Large Pressure release 7 = Large Diaphragm w/single ball valve																	
Pump Head Material		0 = Injection molded PVDF 4 = Machined PTFE 5 = Machined Acrylic																	

Flow rate and pressure capacities:

Max Output at 0 PSI				Strokes	Max	115V/60Hz	230V/60Hz	220V/50Hz*
GPD	GPH	LPH	OZ/MIN	Per minute	PSI	Model Number	Model Number	Model Number
57.7	2.4	9.1	5.1	60	150	C11C344X000V00	C11C364X000V00	C11C354X000V00
119.7	4.9	18.9	10.6	125	150	C11C444X000V00	C11C464X000V00	C11C454X000V00
155.9	6.4	24.6	13.8	125	150	C11C441X000V00	C11C461X000V00	C11C451X000V00
260.8	10.8	41.1	23.1	250	100	C11C544X000V00	C11C564X000V00	C11C554X000V00
360.0	15.0	56.8	32.0	250	25	C11C543X000V00	C11C563X000V00	C11C553X000V00

Note: 50Hz units deliver 20% less output PSI

