

C-1100A

Fixed Speed
Dial Knob Control
60 Second Cycle Timer



Features:

- Double-ball inlet and outlet cartridge type ceramic check valves. Chemical resistant PVDF pump head, valve body and fitting, ceramic balls, Viton static seals and TFE/P ball seat o-rings. No metal springs are used.
- Stroke adjustment from 5-100% permits accurate small injections at a high rate per minute.
- Adjustable 60 second repeating interval timer. 3 - 60 second adjustable on time per 60 second cycle.
- Easy to use dial knob adjustment.
- Outputs to 947 ml/min (360 GPD).
- Output pressures to 150 PSI.
- PTFE coated EP diaphragm.
- PVDF suction (foot) valve with Viton and TFE/P o-rings, ceramic check ball and removable polypropylene filter screen.
- Includes 3/8" OD suction and discharge tubing, Injection fitting with spring-loaded check valve and all mounting hardware.
- Compatible with Blue-White's output flow verification sensor system.
- Durable housing of chemical resistant Valox (PBT) thermoplastic.

Specifications:

Max. working pressure:150 psig (10.3 bar)
Max. fluid temperature:130° F (54° C)
Max. Ambient temperature: ...14° to 110° F/ -10° to 43° C
Maximum viscosity:1,000 Centipoise
Maximum suction lift:10 ft. Water 0 psig
Output adjustment range:400:1
 Stroke length:.....5-100%
 Cycle Timer:5-100%
Duty cycle:.....Continuous
Enclosure:NEMA 3R, (Ip23)
Approximate shipping wt: ...10 lb. (4.2 kg)

Voltage (max amp):115VAC/60Hz, 14 & 30 rpm = 1.37 amp
 45, 60, 125, 250 rpm = 1.87 amp
 230VAC/60Hz, 14 & 30 rpm = 0.64 amp
 45, 60, 125, 250 rpm = 0.74 amp
 220VAC/50Hz, 14 & 30 rpm = 0.68 amp
 45, 60, 125, 250 rpm = 1.14 amp
 240VAC/50Hz, 14 & 30 rpm = 0.66 amp
 45, 60, 125, 250 rpm = 1.04 amp
Power Cord Plug Type:.....115V60Hz = NEMA 5/15 (USA)
 230V60Hz = NEMA 6/15 (USA)
 220V50Hz = CEE 7/VII (EUROPE)
 240V50Hz = CEE 7/VII (U.K)

Materials of Construction:

Wetted components:

Pump Head:.....PVDF (options: PTFE, Acrylic)
Pump Head Inlet/outlet Valves:
 Cartridge valve body:PVDF
 Tube adapters:PVDF
 Check Balls:Ceramic
 Ball Seat O-ring:.....TFE/P (optional EP)
 Static Seal O-ring:.....Viton[®] (optional EP)
Suction Tubing:.....Clear PVC
Discharge Tubing:.....Natural Polyethylene (LLDPE)

Suction Footvalve/Strainer:

Body & Tubing adapter:.....PVDF (optional PTFE)
Strainer:Polypropylene
Check Ball:Ceramic (optional PTFE poppet)
Ball Seat O-ring:.....TFE/P (optional EP)
Static Seal O-ring:Viton[®] (optional EP)

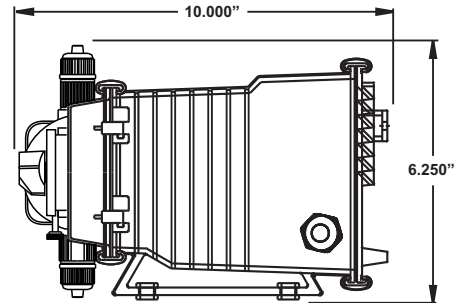
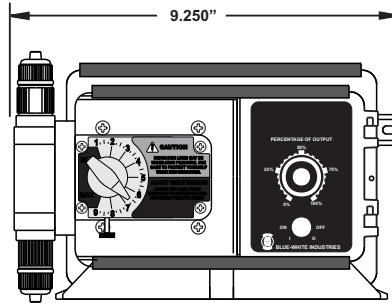
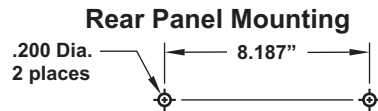
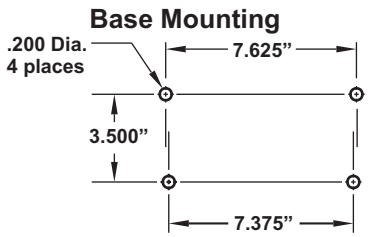
Injection/Check valve:

Body & insert:Polypropylene (optional PVDF, PTFE)
Check Ball:Ceramic (optional PTFE poppet)
Spring:Hastelloy C-276
Ball Seat O-ring:.....TFE/P (optional EP)
Static Seal O-ring:Viton[®] (optional EP)

Blue-White Industries, Ltd.

CHEM-FEED® Diaphragm Metering Pumps

Dimensions:



Model Number Matrix:

MODEL		C	11	A														
Pump system selection																		
C = Pump without tank system																		
T = Pump mounted on STAR-3 tank																		
Output Control																		
V = Digital speed control with external input																		
F = Analog speed control																		
C = Analog timer, 5 sec. Cycle - 100% duty																		
A = Analog timer, 60 sec. Cycle - 100% duty																		
E = Digital batch timer with external input																		
X = No output control - fixed feed rate																		
Maximum Motor RPM																		
0 = 14 RPM 3 = 60 RPM																		
1 = 30 RPM 4 = 125 RPM																		
2 = 45 RPM 5 = 250 RPM																		
Power Supply (motor protection)																		
4 = 115V60Hz (TP)																		
5 = 220V50Hz (TP)																		
6 = 230V60Hz (TP)																		
7 = 240V50Hz (TP)																		
TP = Thermal protection																		
Cam Stroke Length																		
1 = .125" 3 = .187"																		
2 = .055" 4 = .100"																		
Electrical Options																		
X = Standard Equipment																		
A = Junction box replaces power cord																		
P = Power cord and junction box																		
R = 230V Power cord w/NEMA 6/15 plug																		
Z = Proportional feed system - JBox/Cord																		
Footvalve / Tank Capacity																		
0 = C-340																		
1 = C-345																		
2 = C-340-6T																		
A = 7 Gallons (U.S.)																		
B = 15 Gallons (U.S.)																		
C = 30 Gallons (U.S.)																		
Injection Fitting																		
0 = A-014N (Polypropylene - ½ lb spring)																		
1 = C-395N (Polypropylene - 6 lb spring)																		
A = A-014-6T (PTFE - ½ lb spring)																		
B = C-395-6T (PTFE - 6 lb spring)																		
C = A-014NK (PVDF - ½ lb spring)																		
D = C-395NK (PVDF - 6 lb spring)																		
Elastomer Material																		
V = Viton E = EP																		
Diaphragm Style																		
0 = Large PTFE/EP																		
1 = Large PTFE/Viton																		
6 = Small PTFE / EP																		
7 = Small PTFE / EP																		
Pump Head Style																		
0 = Large Diaphragm																		
2 = Small Diaphragm																		
5 = Large Pressure release																		
7 = Large Diaphragm w/single ball valve																		
Pump Head Material																		
0 = Injection molded PVDF																		
4 = Machined PTFE																		
5 = Machined Acrylic																		

Flow rate and pressure capacities:

Max Output at 0 PSI				Strokes	Max	115V/60Hz	230V/60Hz	220V/50Hz
GPD	GPH	LPH	OZ/MIN	Per minute	PSI	Model Number	Model Number	Model Number
57.7	2.4	9.1	5.1	60	150	C11A344X000V00	C11A364X000V00	C11A354X000V00
119.7	4.9	18.9	10.6	125	150	C11A444X000V00	C11A464X000V00	C11A454X000V00
155.9	6.4	24.6	13.8	125	150	C11A441X000V00	C11A461X000V00	C11A451X000V00
260.8	10.8	41.1	23.1	250	100	C11A544X000V00	C11A564X000V00	C11A554X000V00
360.0	15.0	56.8	32.0	250	25	C11A543X000V00	C11A563X000V00	C11A553X000V00

