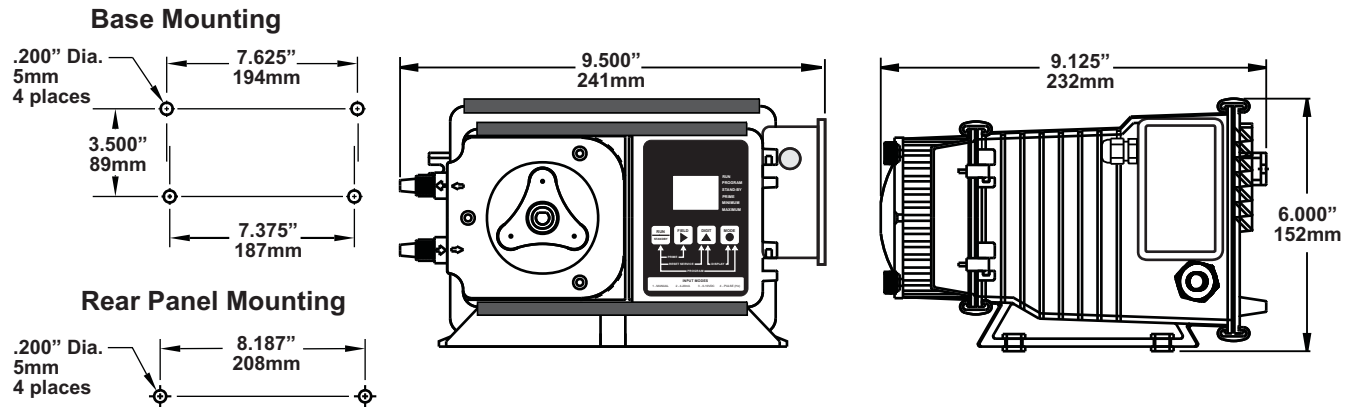
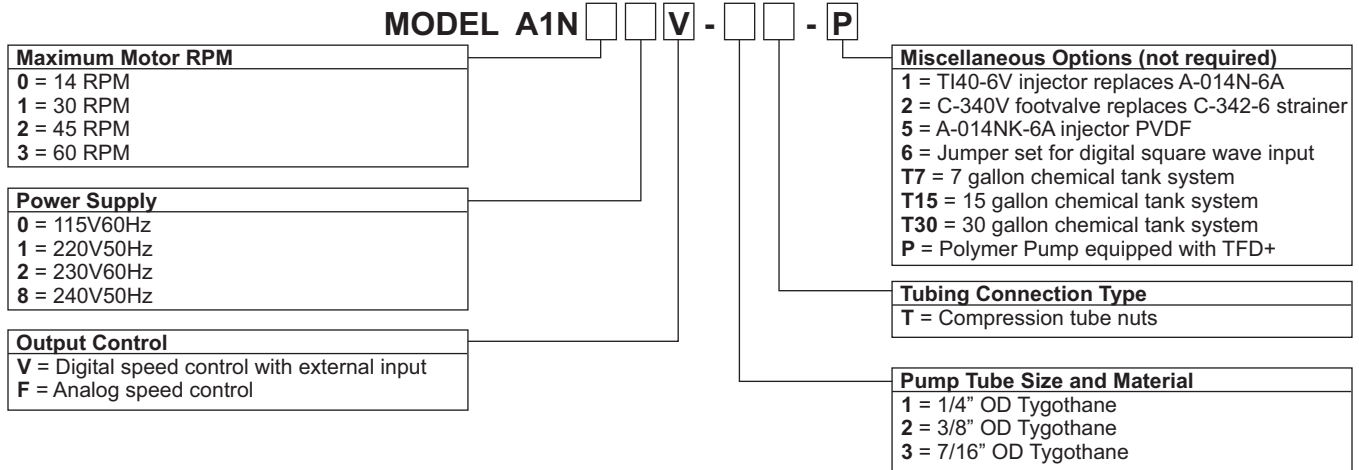




#### Dimensions:



#### Model Number Matrix:



#### Maximum Flow rate and pressure capacities:

Model Number	Feed Rate	RPM	Max PSI (BAR)	Pump Tube Part Number	Pump Tube Material	Nominal Pump Tube OD
A1N0*V-1T-P	0.8 - 15 ML/min	14	65 (4.5)	A1-1T	Tygothane	1/4" (6,4mm)
A1N1*V-1T-P	1.8 - 35 ML/min	30	65 (4.5)	A1-1T	Tygothane	1/4" (6,4mm)
A1N3*V-1T-P	6.7 - 67 ML/min	60	65 (4.5)	A1-1T	Tygothane	1/4" (6,4mm)
A1N3*V-2T-P	14.0 - 140 ML/min	60	65 (4.5)	A1-2T	Tygothane	3/8" (9,5mm)
A1N2*V-3T-P	26.1 - 261 ML/min	45	50 (3.5)	A1-3T	Tygothane	7/16" (11,1mm)
A1N3*V-3T-P	32.6 - 326 ML/min	60	50 (3.5)	A1-3T	Tygothane	7/16" (11,1mm)