

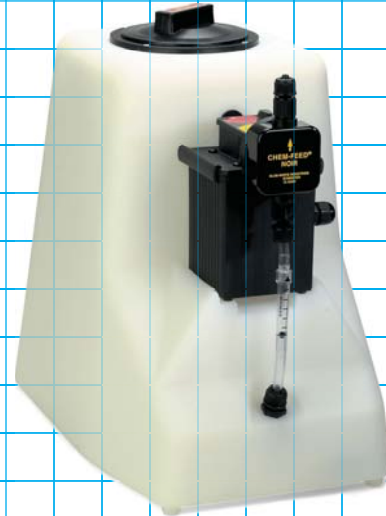
# Blue-White<sup>®</sup>

Industries, Ltd.

CHEM-FEED<sup>®</sup> Diaphragm Metering Pumps  
Engineering and Technical Data

## C-1500N STAR SYSTEM

7, 15, 30 GALLON  
Heavy Duty 0.30" wall



### Features:

- Extra heavy 0.30" thick wall polyethylene with UV inhibitors.
- Ships complete with the C-1500N pump model of your choice.
- 3 tank capacities to choose from: 7, 15, and 30 gallons.
- Molded-in threaded inserts and raised shelf for sturdy pump mounting.
- Lid positions include open, closed and vent.
- All necessary accessories are included.
- Convenient space saving rectangular shape.
- Raised off the floor for easy wash down.

### Specifications:

Material: .....LLDPE  
Capacity: .....7, 15, or 30 U.S. Gallons  
Max. fluid temperature: .....130° F (54° C)  
Max. ambient temperature: ..14° to 110° F/ -10° to 43° C  
Approximate shipping wt: ...(includes C-1500N pump)  
7 gallon units = 19 lb. (8.6 kg)  
15 gallon units = 28 lb. (12.7 kg)  
30 gallon units = 36 lb. (16.3 kg)

### Materials of Construction:

#### Tank system only:

Tank: .....Natural Polyethylene (LLDPE)  
Suction Strainer assembly:  
Tubing: .....Clear PVC  
Weight: .....Ceramic  
Footvalve adapter & body: PVDF  
Strainer screen: .....Polypropylene  
Check Ball: .....Ceramic  
Spring: .....Hastelloy C-276  
Ball Seat O-ring: .....TFE/P (optional EP)  
Static Seal O-ring: .....Viton<sup>®</sup> (optional EP)Natural  
Lid: .....Polypropylene  
Lid fasteners: .....Polypropylene

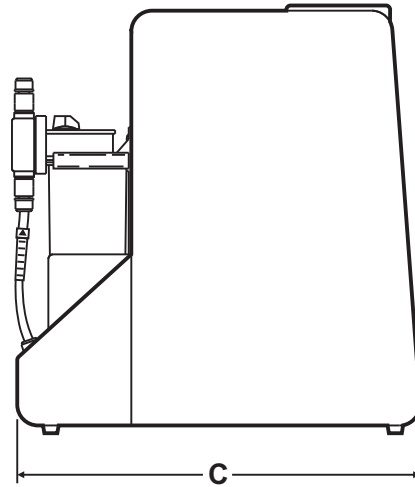
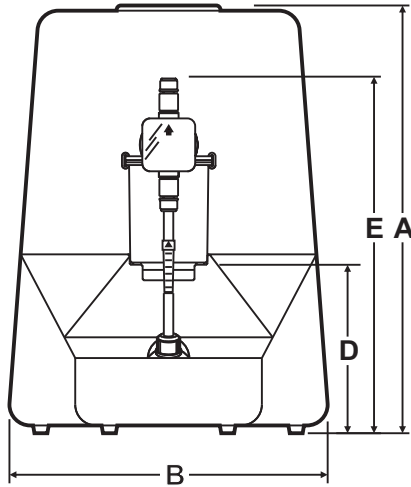
# Blue-White Industries, Ltd.

## CHEM-FEED® Diaphragm Metering Pumps

### Dimensions:

DIMENSIONS = INCH (CM)

	DIM 'A'	DIM 'B'	DIM 'C'	DIM 'D'	DIM 'E'	TANK SHIP WT.
7 GALLON TANK	17.5 (44.5)	12.0 (30.5)	16.0 (41.0)	7.8 (19.7)	17.0 (43.0)	11 LB. (5.0 Kg)
15 GALLON TANK	22.0 (56.0)	15.5 (38.0)	19.5 (50.0)	7.8 (19.7)	17.0 (43.0)	20 LB. (9.1 Kg)
30 GALLON TANK	27.0 (69.0)	20.0 (51.0)	24.0 (61.0)	7.8 (19.7)	17.0 (43.0)	28 LB. (12.7 Kg)



### Complete System Model Number Matrix:

#### MODEL T15N

<b>Maximum Motor RPM</b> 0 = 14 RPM 1 = 30 RPM 2 = 45 RPM 3 = 60 RPM 4 = 125 RPM
<b>Power Supply (motor protection)</b> 0 = 115V60Hz (IP) 4 = 115V60Hz (TP) 1 = 220V50Hz (IP) 5 = 220V50Hz (TP) 2 = 230V60Hz (IP) 6 = 230V60Hz (TP) 3 = 24V60Hz (IP) 7 = 24V50Hz (none)* 8 = 240V50Hz (TP) IP = impedance protection, TP = Thermal protection * intermittent duty only
<b>Cam Stroke Length</b> 1 = .125" 3 = .187" 2 = .055" 4 = .100"
<b>Output Control &amp; Electrical</b> X = Standard Equipment I = Analog timer, 5 sec. Cycle - 100% duty K = Analog timer, 60 sec. Cycle - 100% duty A = Junction box replaces power cord C = On/Off switch and junction box P = Power cord and junction box R = 230V Power cord w/NEMA 6/15 plug T = 230V Power cord and on/off switch Z = Proportional feed system - JBox/Cord

<b>Tank Capacity</b> 1 = 7 Gallons (U.S.) 2 = 15 Gallons (U.S.) 3 = 30 Gallons (U.S.)
<b>Injection Fitting</b> 0 = A-014N (Polypropylene - 1/2 lb spring) 1 = C-395N (Polypropylene - 6 lb spring) A = A-014-6T (PTFE - 1/2 lb spring) B = C-395-6T (PTFE - 6 lb spring) C = A-014NK (PVDF - 1/2 lb spring) D = C-395NK (PVDF - 6 lb spring)
<b>Elastomer Material</b> V = Viton E = EP
<b>Diaphragm Style</b> 0 = Large PTFE/EP 6 = Small PTFE / EP 1 = Large PTFE/Viton 7 = Small PTFE / EP
<b>Pump Head Style</b> 0 = Large Diaphragm 4 = Large Diaphragm Carwash 2 = Small Diaphragm 6 = Small Diaphragm Carwash 5 = Large Pressure release
<b>Pump Head Material</b> 0 = Injection molded PVDF 4 = Machined PTFE 5 = Machined Acrylic

### Tank Only Model Number:

STAR-7 = 7 gallon tank only  
STAR-15 = 15 gallon tank only  
STAR-30 = 30 gallon tank only

All trademarks are the property of their respective owners.

Technical data sheet #85000-047 rev.072911

**Blue-White**  
Industries, Ltd.

5300 Business Drive, Huntington Beach, CA 92649  
Tel: 714-893-8529 Fax: 714-894-9492  
www.blue-white.com Email: sales@blue-white.com

코리아피앰에스  
대전광역시 유성구 테크노2로 187  
미건테크노월드2차 205호  
전화 : 042-934-2555  
팩스 : 042-934-3555  
info@hosepump.co.kr  
www.hosepump.co.kr